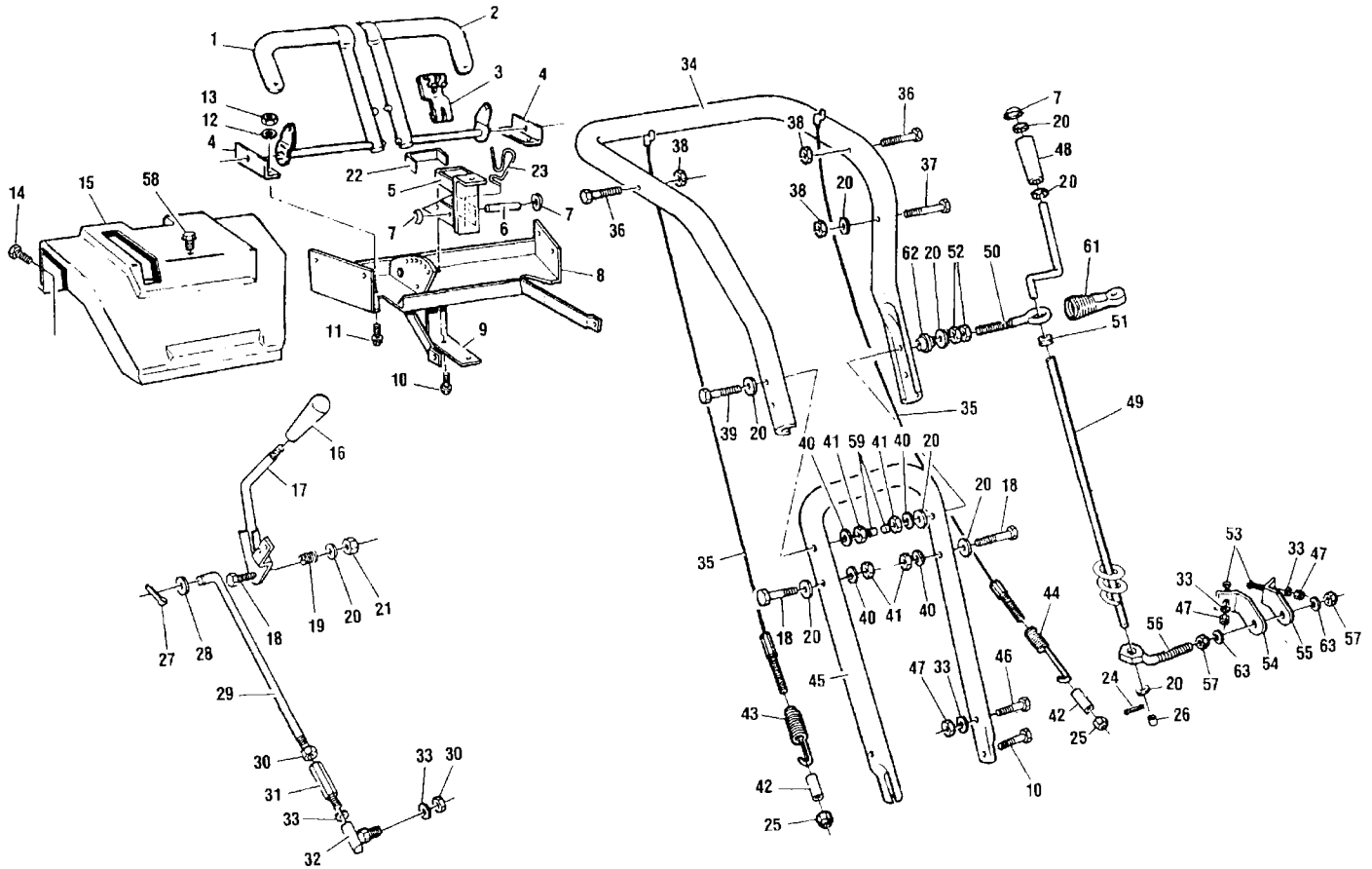




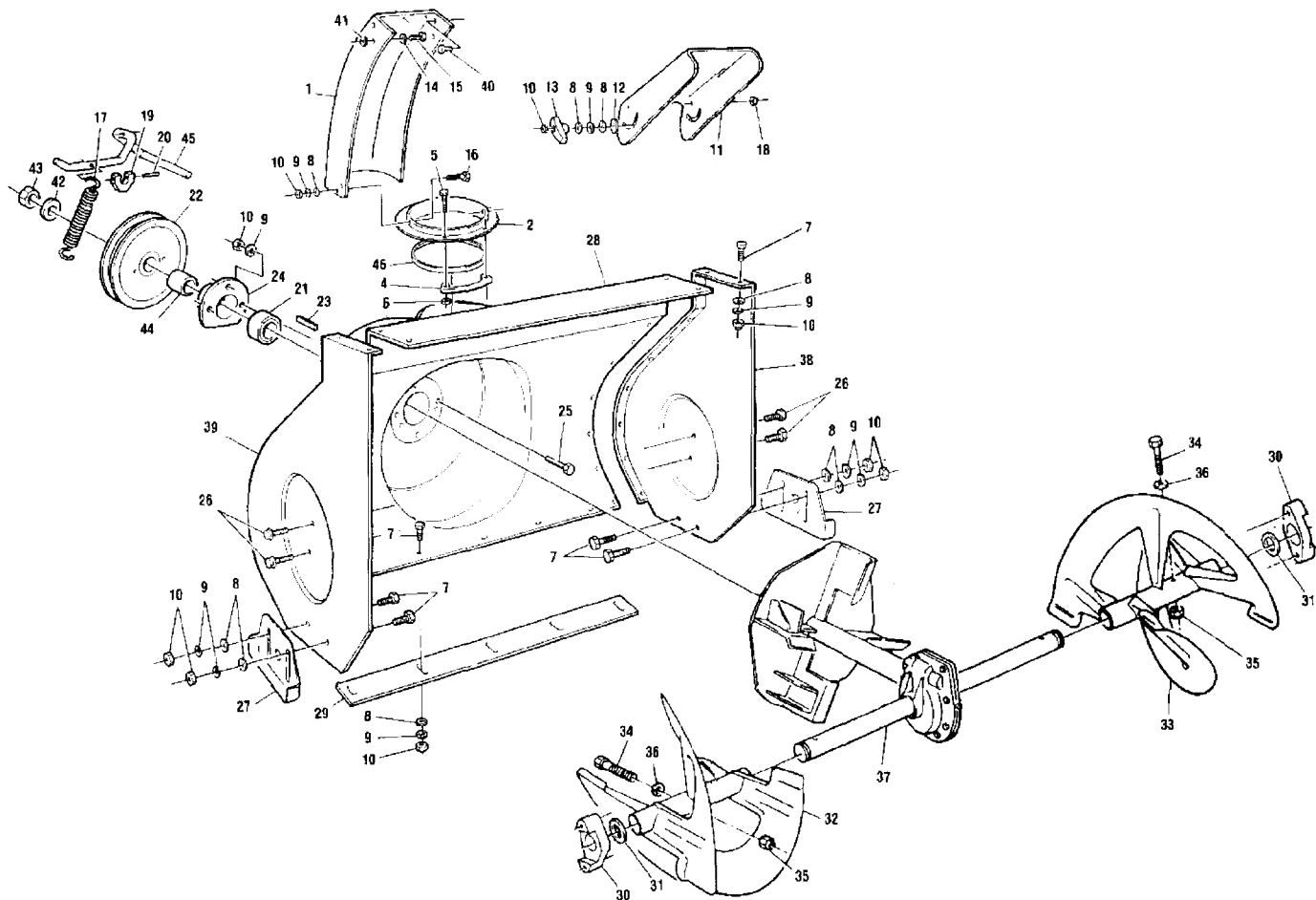
Prod.no: 968 87 02-10  
 Engine: Tecumseh  
 HMSK 80-155480 S

## SPAREPARTS

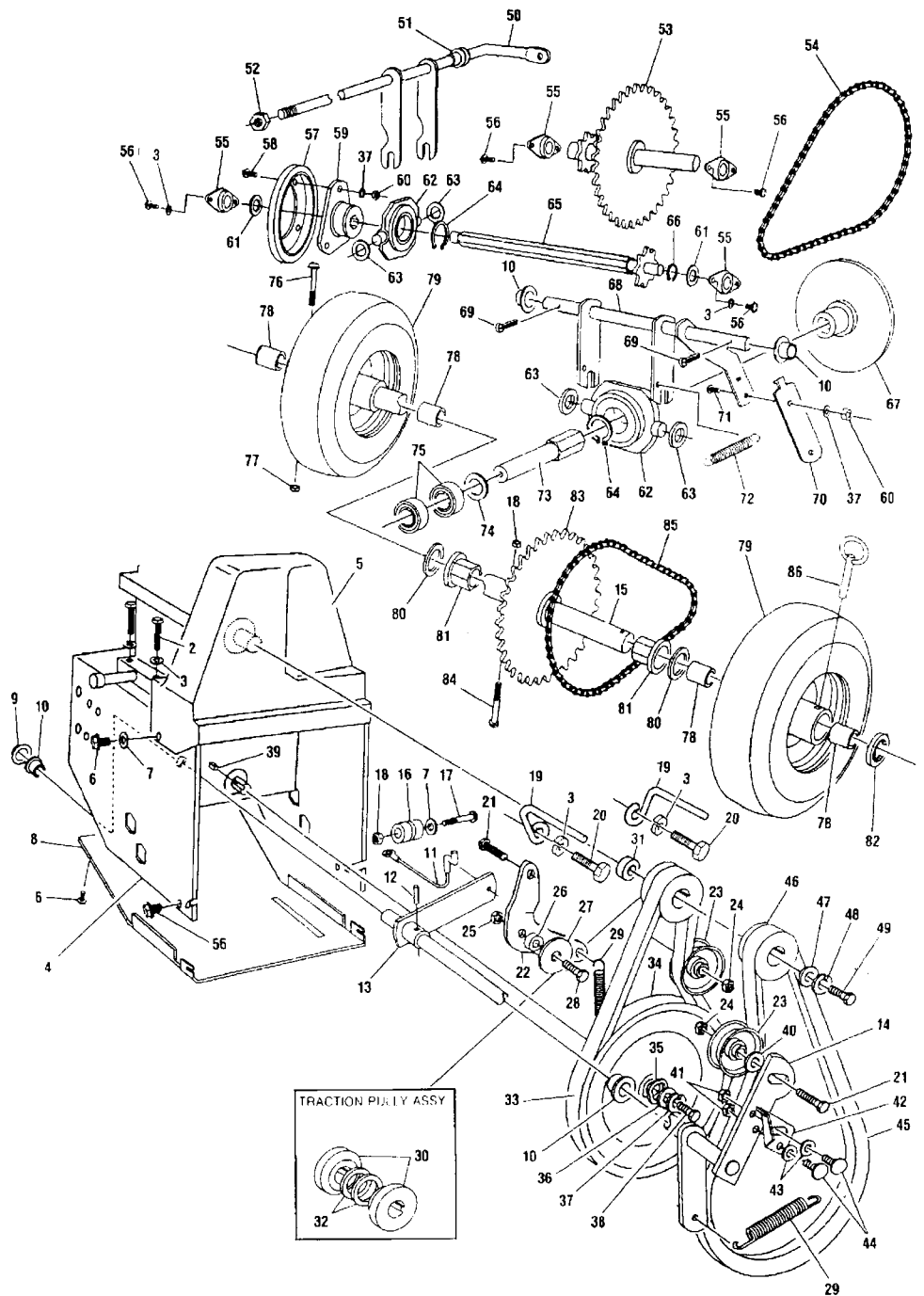
107 26 53-61



Ref. No.	Part.No.	Description	Ref. No.	Part.No.	Description	Ref. No.	Part.No.	Description
1	533 58 03-19	Clutch handle R.H.	26	51540 01-04	Plastic cap	52	515 47 10-45	3/8-16 jam nut
2	533 58 03-18	Clutch handle L.H.	27	515 47 10-81	3/32 x 3/4 cotter pin	53	515 47 09-93	5/16-18 x 3/4 carriage bolt
3	515 40 84-17	Cam lock	28	515 47 10-71	5/16 flat washer	54	515 40 70-52	Bracket chute rotate L.H.
4	515 40 64-48	Clutch handle bracket	29	515 40 64-70	Rod speed control	55	515 41 05-84	Bracket chute rotate R.H.
5	515 57 86-56	Bracket light	30	515 47 10-42	5/16-24 hex nut	56	515 40 70-55	Rod chute control
6	533 58 46-73	Pin latch	31	515 40 63-52	Adaptor	57	515 40 70-58	1/2-20 jam nut
7	515 47 36-64	3/8 cap retainer	32	515 45 07-82	Ball joint	58	515 70 09-84	5/16-18 x 3/4 self tapping screw
8	533 00 64-41	Console bracket standard	33	515 47 10-60	5/16 lockwasher	59	515 40 72-89	Plastic stop
9	515 40 64-68	Bracket console support	34	533 00 71-14	Upper handle	60	515 40 70-59	1/2 lockwasher
10	515 47 09-82	5/16-18 x 1/2 self tapping screw	35	515 40 15-80	Clutch cable	61	533 30 81-45	Boot
11	515 47 09-67	1/4-20 x 1/2 bolt	36	515 47 09-89	5/16-18 x 1-1/2 bolt	62	533 30 93-44	Adaptor boot
12	515 47 10-59	1/4 lockwasher	37	515 47 09-90	5/16-18 x 1-3/4 bolt			
13	515 47 10-34	1/4-20 hex nut	38	515 47 10-38	5/16-18 Nylock nut			
14	515 47 09-78	1/4-20 x 1/2 self tapping screw	39	515 40 72-88	3/8-16 x 3 bolt			
15	533 58 55-18	Console standard (without remote chute)	40	515 47 10-62	3/8 lockwasher			
16	533 30 47-28	Control knob	41	515 47 10-44	3/8-16 hex nut			
17	515 40 64-44	Speed control lever	42	515 40 65-44	Spacer			
18	515 40 40-58	3/8-16 x 1-3/4 bolt	43	515 40 16-73	Spring auger clutch			
19	515 45 07-86	Spring	44	533 57 98-69	Spring drive clutch			
20	515 47 10-72	3/8 flat washer	45	533 00 55-43	Lower handle			
21	515 47 10-46	3/8-16 locknut	46	515 47 09-85	5/16-18 x 3/4 bolt			
22	515 57 86-57	Rubber pad	47	515 47 10-37	5/16-18 hex nut			
23	515 57 86-53	Spring cam assist	48	533 30 73-99	Handle crank			
24	515 47 10-81	3/32 x 1 cotter pin	49	533 08 51-92	Crank			
25	515 47 10-35	1/4 x 20 locknut	50	515 47 14-57	3/8 eye bolt			
			51	515 40 01-48	Grommett			

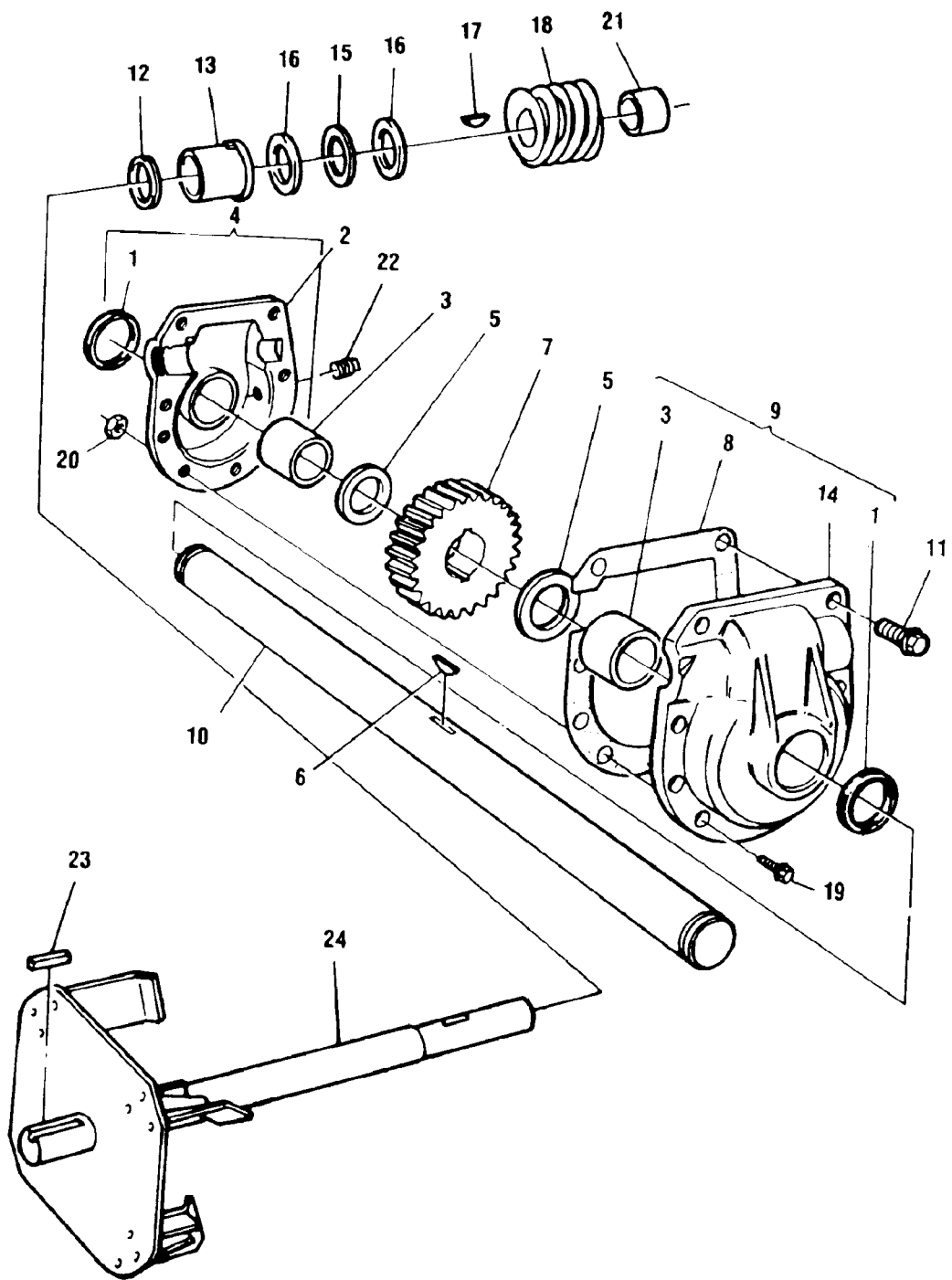


Ref. No.	Part.No.	Description	Ref. No.	Part.No.	Description	Ref. No.	Part.No.	Description
1	533 00 66-35	Chute extension	17	533 00 70-30	Return spring	33	533 58 44-82	26" serrated auger L.H.
2	533 58 04-33	Flange	18	515 47 10-38	5/16-18 locknut	34	515 40 95-24	1/4-20 x 1-3/4 bolt
3	515 41 18-43	Wire chute hinge	19	533 58 15-40	Pad, auger impeller brake	35	515 47 38-26	1/4-20 locknut
4	533 57 94-57	Retainer	20	515 47 38-01	5/32 x 7/8 roll pinn	36	515 40 39-43	Spacer
5	515 47 10-32	8-32 x 1/2 bolt	21	533 58 07-81	Bearing	37	533 58 34-65	25" gear box assembly
6	533 07 10-57	8-32 Nylock nut	22	533 58 31-27	Auger pulley 6.5"	38	533 40 69-16	Side plate L.H.
7	515 47 09-93	5/16-18 x 3/4 carriage bolt	23	533 07 13-71	3/16 key	39	533 40 69-15	Side plate R.H.
8	515 47 10-71	5/16 flat washer	24	533 58 29-60	Retainer, bearing	40	515 47 11-47	5/16-18 x 3/4 Pan bolt
9	515 47 10-60	5/16 lockwasher	25	874 78 05-10	5/16-18 x 5/8 bolt	41	515 41 20-21	Plastic washer
10	515 47 10-37	5/16 hex nut	26	515 47 09-84	5/16-18 x 3/4 self tapping screw	42	515 47 10-74	1/2 - washer
11	533 00 18-05	Chute deflector	27	533 05 06-43	Height adjustor	43	533 00 52-51	1/2-20 Lock nut
12	515 40 67-11	Plastic washer	28	533 55 53-64	Auger housing 24"	44	533 58 31-61	Space impeller pulley
13	515 40 98-84	Wing knob	29	533 57 75-62	26" scraper bar	45	533 58 09-45	Rod, brake arm
14	515 47 10-73	7/16 flat washer	30	515 45 37-57	Bushing auger shaft	46	533 57 75-90	Chute ring
15	515 40 33-16	5/16-18 x 1 carriage bolt	31	515 47 37-55	Washer			
16	515 47 09-93	5/16-18 x 3/4 carriage bolt	32	533 58 44-83	26" serrated auger R.H.			



Ref. No.	Part.No.	Description
2	515 47 09-88	5/16-18 x 1.25 bolt
3	515 47 10-60	5/16 Lockwasher
4	533 33 41-33	Motor mount
5	533 58 07-73	Belt cover
6	515 47 09-78	1/4-20 x 1/2 Self tap
7	515 47 10-67	1/4 Flat washer
8	533 58 30-31	Bottom panel
9	515 47 38-17	Push nut
10	515 45 37-03	Plastic bushing
11	533 57 98-56	Cable eye lever
12	515 47 38-01	Roll pin
13	533 57 98-74	Auger clutch cable lever
14	533 58 08-89	Auger clutch assy.
15	533 58 08-83	Axle
16	533 57 98-60	Spool
17	515 47 13-60	1/4-20 x 1-3/4 Bolt
18	515 47 10-35	1/4-20 Nylock nut
19	515 40 39-49	Belt guide
20	533 57 87-33	5/16-24 x 5/8 Bolt
21	515 47 10-06	3/8-16 x 1-1/4 Bolt
22	533 57 98-72	Idle lever
23	515 45 07-93	Idle pulley
24	515 40 05-90	3/8-16 Jam nut
25	873 62 05-00	5/16-18 Nylock nut
26	533 57 98-65	Bushing idler lever
27	515 47 37-95	5/16 x 1-1/4 Flat washer
28	515 47 09-85	5/16-18 x 3/4 Bolt
29	515 45 37-04	Idle spring
30	533 57 98-54	Traction pulley
31	533 57 98-55	Crankshaft washer
32	533 57 98-61	Pulley spacer
33	533 57 99-32	Traction belt
34	533 58 09-61	Traction pulley
35	533 58 09-65	Wave washer
36	533 57 89-62	1/4 x 1 Flat washer
37	515 47 10-59	1/4 Split lockwasher
38	874 78 04-10	1/4-20 x 5/8 Bolt
39	533 58 09-70	3/16 Square key
40	515 47 10-72	3/8 Flat washer

Ref. No.	Part.No.	Description	Ref. No.	Part.No.	Description
41	873 68 04-00	1/4-20 Lock nut	65	533 57 98-97	Hex shaft
42	533 58 09-44	Cam brake arm	66	533 43 56-48	Retainer ring
43	515 47 10-71	5/16 Flatwasher	67	533 58 34-70	Friction disc
44	515 40 38-09	1/4-20 x 5/8 Carr. bolt	68	533 57 99-41	Traction shaft
45	515 40 35-26	Auger belt	69	515 47 10-79	1/8 x 1 Cotter pin
46	533 58 49-31	Engine pulley	70	533 57 99-37	Traction spring lever
47	515 45 06-77	3/8 x 1-1/4 Flat washer	71	515 41 18-71	1/4-20 x 5/8 Bolt
48	515 47 10-63	3/8 Split lockwasher	72	515 45 38-18	Clutch spring return
49	515 47 10-15	3/8-24 x 1 Bolt	73	533 58 31-55	Traction hex shaft
50	533 58 17-94	Speed select lever	74	533 58 09-69	Washer
51	533 57 94-44	Plastic bushing	75	533 58 07-81	Ball bearing
52	515 47 11-11	3/8-16 Center locknut	76	515 57 70-15	Shear bolt
53	533 57 98-93	Jack shaft	77	515 47 38-26	1/4-20 locknut
54	533 57 98-67	Chain 420 x 40P	78	515 57 85-72	Wheel bushing
55	533 33 41-63	Bearing, retainer	79	533 31 85-03	13 x 5.00-6 wheel (HOG)
56	515 47 09-82	5/16-18 x 1/2 Bolt	80	515 40 61-04	3/4 x 1-1/8 Washer
57	515 45 38-30	Friction wheel	81	533 58 17-30	Axle bearing
58	515 41 18-71	1/4-20 x 5/8 Bolt GR5	82	515 40 02-39	Retainer ring
59	533 58 17-73	Friction wheel hub	83	533 58 30-12	Sprocket 35T
60	515 47 10-34	1/4-20 hex nut	84	515 47 38-39	1/4-20 x 2-1/4 Bolt
61	533 57 98-58	Washer	85	533 57 98-67	Chain 420 x 38P
62	515 48 55-01	Trunion bearing	86	515 47 38-42	Click pin
63	515 47 38-12	Trunion washer			
64	515 47 38-11	1-1/4 Retainer ring			



Ref. No.	Part.No.	Description	Ref. No.	Part.No.	Description	Ref. No.	Part.No.	Description
1	515 45 37-44	Seal	9	515 40 08-99	Housing assembly R.H.	17	515 45 07-95	Key 3/16"
2	515 40 08-95	Housing L.H.	10	533 57 80-55	26" auger shaft	18	515 45 37-32	Worm
3	515 45 37-43	Bearing	11	515 40 09-12	5/16-24 x 1-1/2 bolt	19	515 47 13-93	5/16-24 x 1 bolt
4	515 40 08-98	Housing assembly L.H.	12	515 45 37-37	Ring quad	20	515 47 11-00	5/16-24 flange locknut
5	515 45 37-48	Race thrust	13	533 58 31-26	Bearing impeller shaft	21	515 45 37-31	Bearing impeller shaft
6	515 47 39-05	Key Woodruff #91	14	515 40 08-96	Housing R.H.	22	515 45 37-49	Grease plug
7	515 45 37-30	Worm gear	15	515 45 06-84	Bearing needle	23	533 07 13-71	3/16" key
8	515 40 08-97	Gasket	16	515 40 93-46	Race thrust	24	533 58 32-14	Impeller shaft assy.